



SolarEdge Single Phase StorEdge™ Solutions for North America



STOREDGE™

SolarEdge StorEdge™ Solutions Benefits:

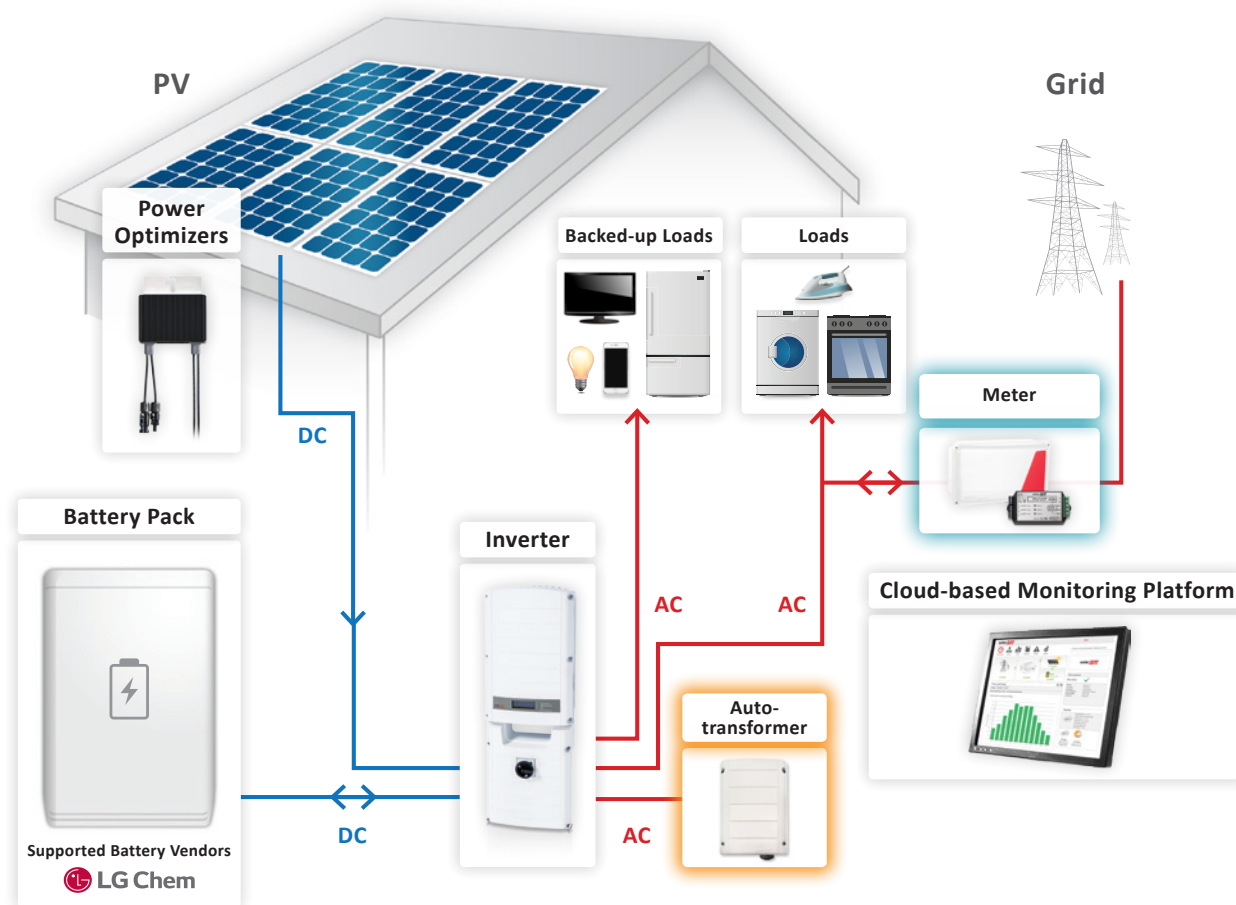
- **More Energy** - DC-coupled architecture stores PV power directly to the battery without AC conversion losses
- **Simple Design & Installation** - single inverter for PV, battery storage, grid-tied and backup applications
- **Enhanced Safety** - no high voltage during installation, maintenance or firefighting
- **Full Visibility** - monitor battery status, PV production, remaining backup power and self-consumption data



SolarEdge Single Phase StorEdge™ Solutions for North America

StorEdge™ Features:

- Smart Energy Management - export control, time-of-use shifting, maximized self-consumption, demand response and peak shaving capabilities
- Backup power - automatically provides power to backed-up loads in the event of grid interruption
- All-in-one solution uses a single DC optimized phase inverter to manage and monitor both PV generation and energy storage
- Compatible with the LG Chem RESU battery.



SolarEdge StorEdge™ Solutions for North America - Product Selector

| | Grid-tied solar, backup power and smart energy management | Grid-tied solar and backup power | Grid-tied solar and smart energy management | |
|---------------------------------|---|----------------------------------|---|--|
| Single Phase StorEdge™ Inverter | ✓ | ✓ | ✓ | |
| Auto-transformer | ✓ | ✓ | | |
| SolarEdge Electricity Meter | ✓ | | ✓ | |
| Battery | ✓ | ✓ | ✓ | |



SolarEdge Single Phase StorEdge Inverter

for North America SE3800A-US⁽¹⁾, SE7600A-US⁽¹⁾

- Single inverter for PV, grid-tied storage and backup power
- Includes the hardware required to provide automatic backup power to backed-up loads in case of grid interruption
- Includes all interfaces needed for battery connection
- UL1741 SA certified, for CPUC Rule 21 grid compliance

| | SE3800A-US | SE7600A-US | |
|---|---|------------|-----|
| OUTPUT - AC (LOADS/GRID) | | | |
| Rated AC Power Output | 3800 | 7600 | VA |
| Max AC Power Output | 4175 | 8350 | VA |
| AC Output Voltage Min-Nom-Max (L-L) ⁽²⁾ | 211-240-264 | | Vac |
| AC Frequency Min-Nom-Max ⁽²⁾ | 59.3 - 60 - 60.5 | | Hz |
| Maximum Continuous Output Current @240V | 16 | 32 | A |
| GFDI | 1 | | A |
| Utility Monitoring, Islanding Protection, Country Configurable Thresholds | Yes | | |
| Charge Battery from AC (if Allowed) | Yes | | |
| THD | <3 | | % |
| Typical Nighttime Power Consumption | <5 | | W |
| OUTPUT - AC (BACKUP POWER)⁽³⁾ | | | |
| Rated AC Power Output | 5000 ⁽⁴⁾ | | VA |
| Max AC Power Output - Surge | 6600 ⁽⁴⁾ | | VA |
| AC Output Voltage Min-Nom-Max (L-L) | 211-240-264 | | Vac |
| AC Output Voltage Min-Nom-Max (L-N) | 105-120-132 | | Vac |
| AC Frequency Min-Nom-Max | 55 - 60 - 65 | | Hz |
| Maximum Continuous Output Current @240V - Backup Mode | 21 | | A |
| Max Continuous Output Current per Phase @120V | 25 | | A |
| GFDI | 1 | | A |
| AC Circuit Breaker | Yes | | |
| THD | <5 | | % |
| Automatic switchover time | <2 | | sec |
| Typical Nighttime Power Consumption | <5 | | W |
| INPUT - DC (PV and BATTERY) | | | |
| Transformer-less, Ungrounded | Yes | | |
| Max Input Voltage | 500 | | Vdc |
| Nom DC Input Voltage | 400 | | Vdc |
| Reverse-Polarity Protection | Yes | | |
| Ground-Fault Isolation Detection | 600kΩ Sensitivity | | |
| Maximum Inverter Efficiency | 98 | | % |
| CEC Weighted Efficiency | 97.5 | | % |
| INPUT - DC (PV) | | | |
| Maximum DC Power (STC) | 5100 | 10250 | W |
| Max Input Current ⁽⁵⁾ | 13 | 23 | Adc |
| 2-pole Disconnection | Yes | | |
| INPUT - DC (BATTERY) | | | |
| Supported Battery Types | LG Chem RESU10H | | |
| Number of Batteries per Inverter | 1 or 2 ⁽⁶⁾ | | |
| Continuous Power | 5000 | | W |
| Peak Power | 7000 | | W |
| Max Input Current | 17.5 | | Adc |
| 2-pole Disconnection | Yes | | |
| DC Fuses on Plus and Minus | 25A (field replaceable) | | |
| ADDITIONAL FEATURES | | | |
| Supported Communication Interfaces | RS485 for battery, RS485, Ethernet, Cellular, ZigBee (optional) | | |
| Revenue Grade Data, ANSI C12.20 | Optional ⁽⁷⁾ | | |
| Integrated AC, DC and Communication Connection Unit | Yes | | |
| AC Disconnect | Yes | | |
| Manual Inverter Bypass Switch | Yes | | |
| DC Voltage Rapid Shutdown (PV and Battery) | Yes, according to NEC 2014 and 2017 690.12 | | |
| Auto-transformer thermal protection | Yes | | |

⁽¹⁾ These specifications apply to inverters with part numbers SExxxxA-USS2 and connection unit model number BCU-1PH-USS

⁽²⁾ For other regional settings please contact SolarEdge Support

⁽³⁾ Not designed for standalone applications and requires AC for commissioning

⁽⁴⁾ The rated AC power output is the minimum between the AC Power Output and the battery continuous peak power

⁽⁵⁾ A higher current source may be used; the inverter will limit its input current to the values stated

⁽⁶⁾ When connecting two LG Chem batteries, each battery must have a different part number; supporting SolarEdge firmware required

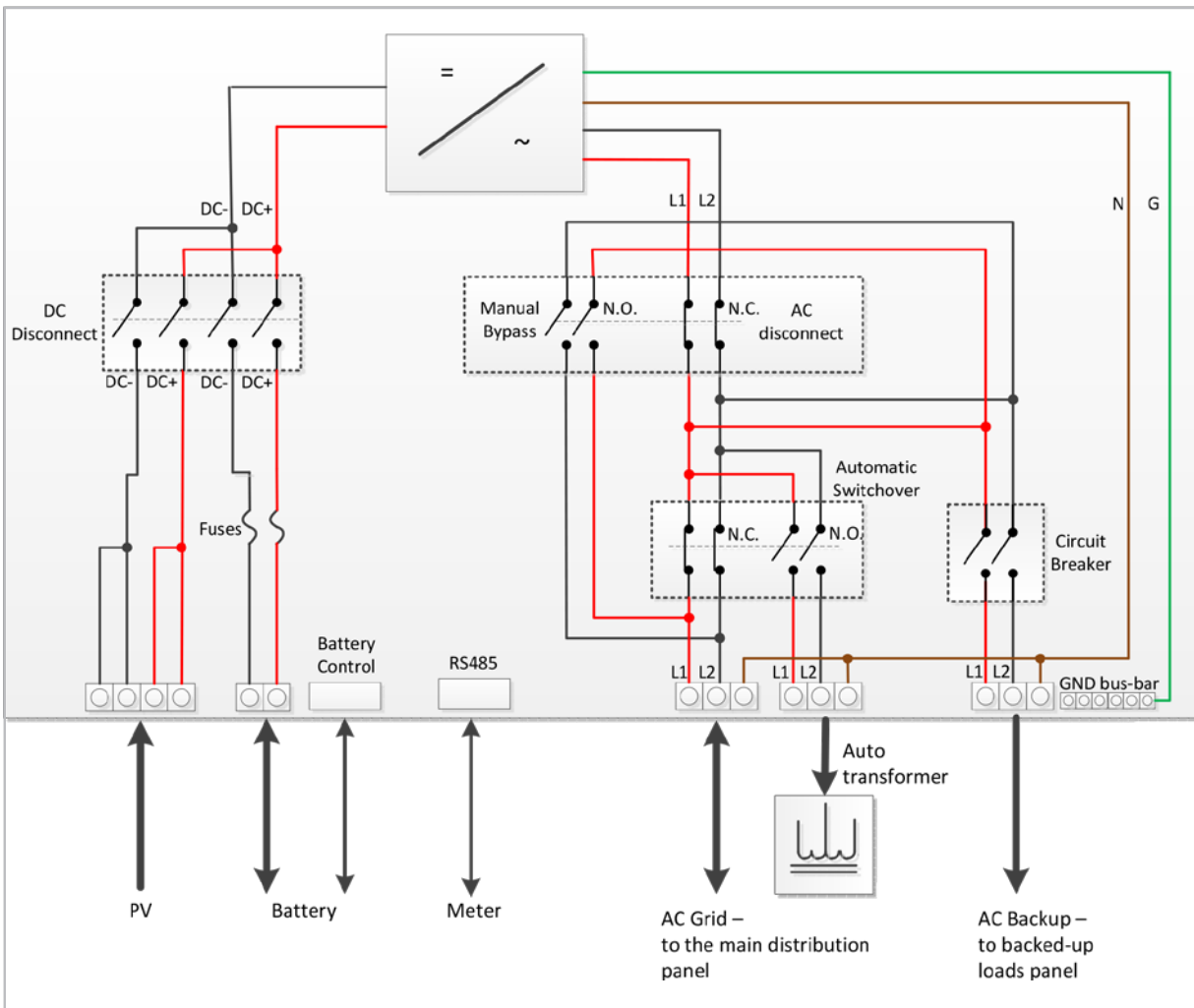
⁽⁷⁾ Revenue grade inverter P/N: SExxxxA-USS20NH2



SolarEdge Single Phase StorEdge Inverter for North America SE3800A-US, SE7600A-US

| | SE3800A-US | SE7600A-US |
|---|--|------------|
| STANDARD COMPLIANCE | | |
| Safety | UL1741, UL1741 SA, UL1699B, UL1998, UL9540, CSA 22.2 | |
| Grid Connection Standards | IEEE1547, Rule 21, Rule 14H | |
| Emissions | FCC part15 class B | |
| INSTALLATION SPECIFICATIONS | | |
| AC Output (Loads/Grid) conduit size / AWG range | 1" / 14-6 AWG | |
| AC Output (Backup) conduit size / AWG range | 0.75-1" knockouts / 14-6 AWG | |
| AC Input (Auto-transformer) conduit size / # of Strings / AWG range | 0.75-1" / 14-6 AWG | |
| DC Input (PV) conduit size / AWG range | 0.75" / 1-2 Strings 14-8 AWG | |
| DC Input (Battery) conduit size / AWG range | 0.75" / 12-10 AWG | |
| Dimensions with Connection Unit (HxWxD) | 37 x 12.5 x 7.2 / 940 x 315 x 184 | |
| Weight with Connection Unit | 58.5 / 26.5 | |
| Cooling | Natural convection and internal fan (user replaceable) | |
| Noise | <50 | |
| Min - Max Operating Temperature | -13 to +140 / -25 to +60 | |
| Protection Rating | NEMA 3R | |

Inverter Interface





SolarEdge Auto-transformer

SEAUTO-TX-5000

| SEAUTO-TX-5000 | | |
|---|--|---------|
| ELECTRICAL RATINGS | | |
| Rated Power - Continuous | 5000 | VA |
| Rated Power - Peak | 7600 for 10sec | VA |
| Output Voltage | 120/240V Split Phase | |
| Max Continuous Output Current per Phase @120V | 25 | A |
| Split Phase Imbalance (@Rated Power) | Yes, up to 25A difference between phases | |
| Thermal Protection | Yes | |
| INSTALLATION SPECIFICATIONS | | |
| AC Output conduit size / AWG range | 0.75" / 14-6 AWG | |
| Dimensions (HxWxD) | 6.7 x 7.9 x 5.5 / 170 x 200 x 140 | in / mm |
| Weight | 29.7 / 13.5 | lb / kg |
| Min - Max Operating Temperature | -13 to +140 / -25 to +60 | °F / °C |
| Protection Rating | NEMA 3R | |
| Installation | Wall mounted | |



SolarEdge Electricity Meter for North America

SE-MTR240-0-000-S2

For meter specifications refer to: https://www.solaredge.com/sites/default/files/se_electricity_meter_na.pdf

